

MasterMover®

Worldwide Electric Tug Solutions



MH400+ SS

Stainless Steel Master Handler

**MasterMover Electric
Power Tug |
MasterHandler MH400+
Stainless Steel**

The MasterHandler MH400+ stainless steel electric power tug moves loads where all application wheels are multi directional. It is designed to keep the travelling load straight and stop uncontrolled sideways movement. It benefits from a hydraulic coupling system that creates excellent traction. The compact machine works well in space restricted areas which allows turning within its own space. Variable speed and auto stop controls are also standard.

Industries

Suitable for use in a wide range of applications and sectors

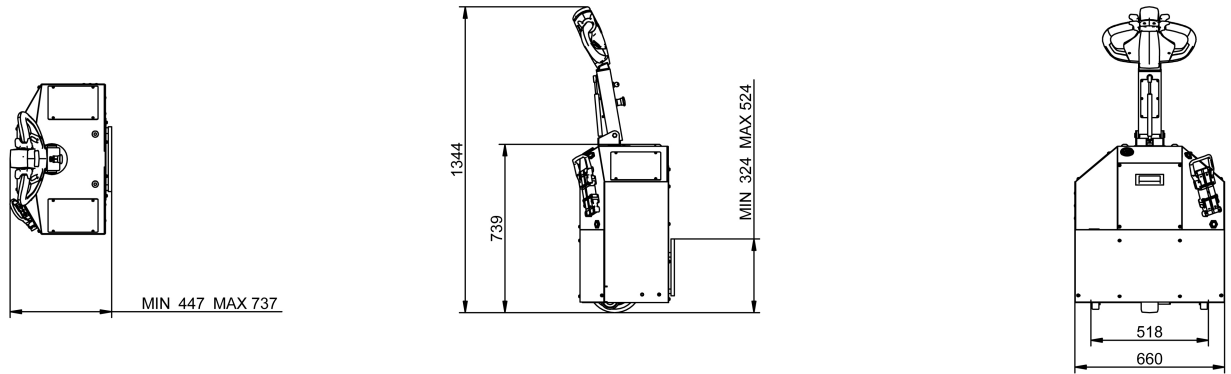


KeyBenefits

1 year full guarantee

- Ensures health and safety compliance
- Offers complete control and manoeuvrability
- Reinforces lean manufacturing principles
- Reduces manual handling
- Makes your operation mobile and flexible
- Increases safety and efficiency
- Optional upgrade to IP55

ProductDimensions



SafetyFeatures

See our website for full technical details



Automatic cut off as tiller arm returns to vertical



Anti-crush button



Emergency stop button



Warning horn

MaxLoadWeight

See our website for full technical details



Castors

Moves up to 4,000 kg*



Rails

Moves up to 16,000 kg*

Performance data

Product code	MH400+
Recommended load weight - Castors	4000 kg
Recommended load weight - Rails	16000 kg
Machine weight including battery	245 kg
Drive type	Electric AC
Parking brake	Electromagnetic
Drive wheel type	Polyurethane
Drive motor power	2 kW
Controller type	AC
Variable machine speed	0.1 km/h - 5 km/h

Charging options

Charger - external - 10A 24V - 110V-240V

Charger - external - 15A 24V - 110V-240V

Additional equipment

Option - flashing safety light and motion bleeper

Option - two speed selector switch

Option - lifting and anchoring points

Contact Us

Find your local dealer here

To arrange a demonstration, or for further information about our electric tug material handling solutions, please contact us

Airfield Industrial Estate, Moor Farm Road, Ashbourne, Derbyshire, DE6 1HD, United Kingdom

Telephone Sales: 01335 301 030 **Email:** sales@mastermover.com

Fax: **Website:** www.mastermover.com



About Us

Located in Derbyshire, the UK's manufacturing hub, MasterMover is a British business success story with customers all over the world.

Our products are relied upon by market leading organisations and global brands across a broad cross-section of industries including Aerospace, Automotive, Pharmaceutical, Retail and Healthcare.



MasterHandler MH400+ Stainless Steel